

MAXI FUSE 32V



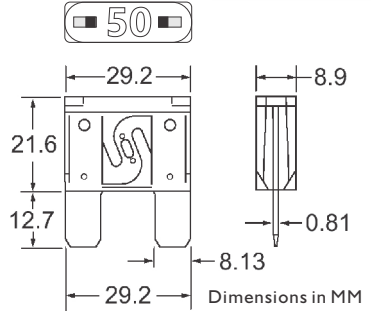
SILVER PLATED

Part Number	Ampere Rating	Body Colour	
MAX020	20A	Yellow	■
MAX025	25A	Grey	■
MAX030	30A	Green	■
MAX035	35A	Brown	■
MAX040	40A	Orange	■
MAX050	50A	Red	■
MAX060	60A	Blue	■
MAX070	70A	Tan	■
MAX080	80A	Natural	■
MAX100*	100A	Violet	■
MAX000AP	Assortment Pack 7pcs		■
	20A, 30A, 40A, 50A, 60A, 70A, 80A		

NEW



Assortment Pack



Voltage: 32VDC **I.R.:** 1000A at 32VDC

Characteristic: Slow Acting

Terminals: Zinc alloy, silver plated.

Pack Size: 1, 7, 10, 100, 500, 1200

Holders: Fuse Clips, Inline, Power Distribution Modules.

Options: 58VDC & 80VDC versions contact sales.

Notes: *Terminals Zinc alloy, tin plated.

Approvals (20A to 80A): SAE J1888 / ISO 8820 RoHS

RELATED PRODUCTS:



Fuse Puller
(see p.44)



Fuse Kit
(see p.39)



Fuse Holder
(see p.80)



Inline Fuse Holders
(see p.79 - 80)



Power Distribution
(see p.112 & 138)

MAXI FUSE INDICATING 32V



This fuse uses a patented bi-directional LED technology to indicate when a fuse has blown. It is a drop-in replacement for non-indicating Maxi fuses.

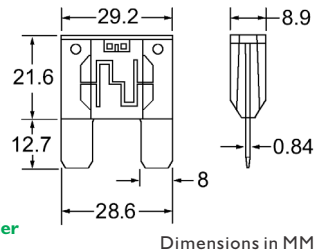
Part Number	Ampere Rating	Body Colour	
MAXD020	20A	Yellow	■
MAXD030	30A	Green	■
MAXD040	40A	Orange	■
MAXD050	50A	Red	■
MAXD060	60A	Blue	■
MAXD070	70A	Tan	■
MAXD080	80A	Natural	■
MAXD100	100A	Violet	■



Normal state



Open fuse



Voltage: 32VDC

Characteristic: Slow Acting

Pack Size: 1, 10, 100, 500, 1000

Holders: Fuse Clips, Inline, Fuse Blocks & Power Dist.

Features: Maxi fuse with blown fault LED indicator.

RELATED PRODUCTS:



Clear Cover Inline Fuse Holder
(see p.80)



Clear Cover Inline Fuse Holder
(see p.79 - 80)

