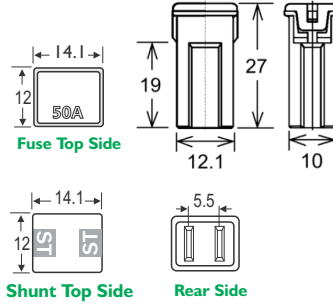


## JCASE FUSE LINK 32V



Part Number	Ampere Rating	Body Colour	
JTF020	20A	Lt. Blue	<span style="color:blue">■</span>
JTF025	25A	White	<span style="color:white">■</span> <b>NEW</b>
JTF030	30A	Pink	<span style="color:pink">■</span>
JTF040	40A	Green	<span style="color:green">■</span>
JTF050	50A	Red	<span style="color:red">■</span>
JTF060	60A	Yellow	<span style="color:yellow">■</span>
JTF070	70A	Brown	<span style="color:brown">■</span> <b>NEW</b>
JTF080	80A	Black	<span style="color:black">■</span> <b>NEW</b>
0495900	50A Shunt	Black	<span style="color:black">■</span> <b>NEW</b>



JCASE Fuse



JCASE Shunt

**Voltage:** 32VDC **I.R.:** 1000A at 32VDC

**Fuse Characteristic:** Slow Acting

**Shunt:** 50A Max Continuous Load Rating (ST)

**Holders:** Inline & Power Fuse / Relay Dist. Module.

**Pack Size:** 1, 10, 100, 500

**Approvals:** ISO 8820 / JASO D612 RoHS

### RELATED PRODUCTS:

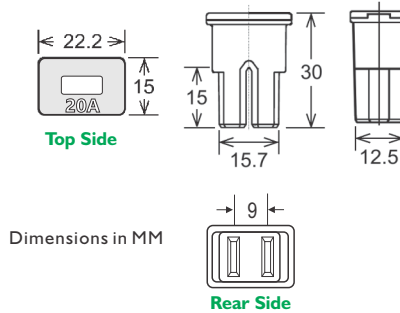


FUSES + KITS

## LARGE FUSE LINK 32V



Part Number	Ampere Rating	Body Colour	
ASF020	20A	Lt. Blue	<span style="color:blue">■</span>
ASF030	30A	Pink	<span style="color:pink">■</span>
ASF040	40A	Green	<span style="color:green">■</span>
ASF050	50A	Red	<span style="color:red">■</span>
ASF060	60A	Yellow	<span style="color:yellow">■</span>
ASF080	80A	Black	<span style="color:black">■</span>
ASF100	100A	Blue	<span style="color:blue">■</span>



**Voltage:** 32VDC **I.R.:** 1000A at 32VDC

**Characteristic:** Slow Acting

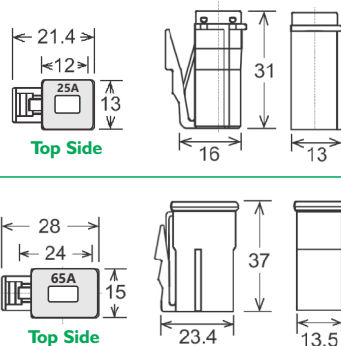
**Pack Size:** 1, 10, 100, 500

**Approvals:** ISO 8820 / JASO D612 RoHS

## FUSE LINK WITH LOCK 32V



Part Number	Ampere Rating	Body Type	Body Colour	
SHF025	25A	Small	Lt. Brown	<span style="color:brown">■</span>
SHF030	30A	Small	Lt. Green	<span style="color:green">■</span>
LHF045	45A	Large	Red	<span style="color:red">■</span>
LHF065	65A	Large	Black	<span style="color:black">■</span>
LHF075	75A	Large	Grey	<span style="color:grey">■</span>



Small Body



Large Body

**Voltage:** 32VDC **I.R.:** 1000A at 32VDC

**Characteristic:** Slow Acting

**Pack Size:** 1, 10, 100

**Approvals:** ISO 8820 / JASO D612 RoHS